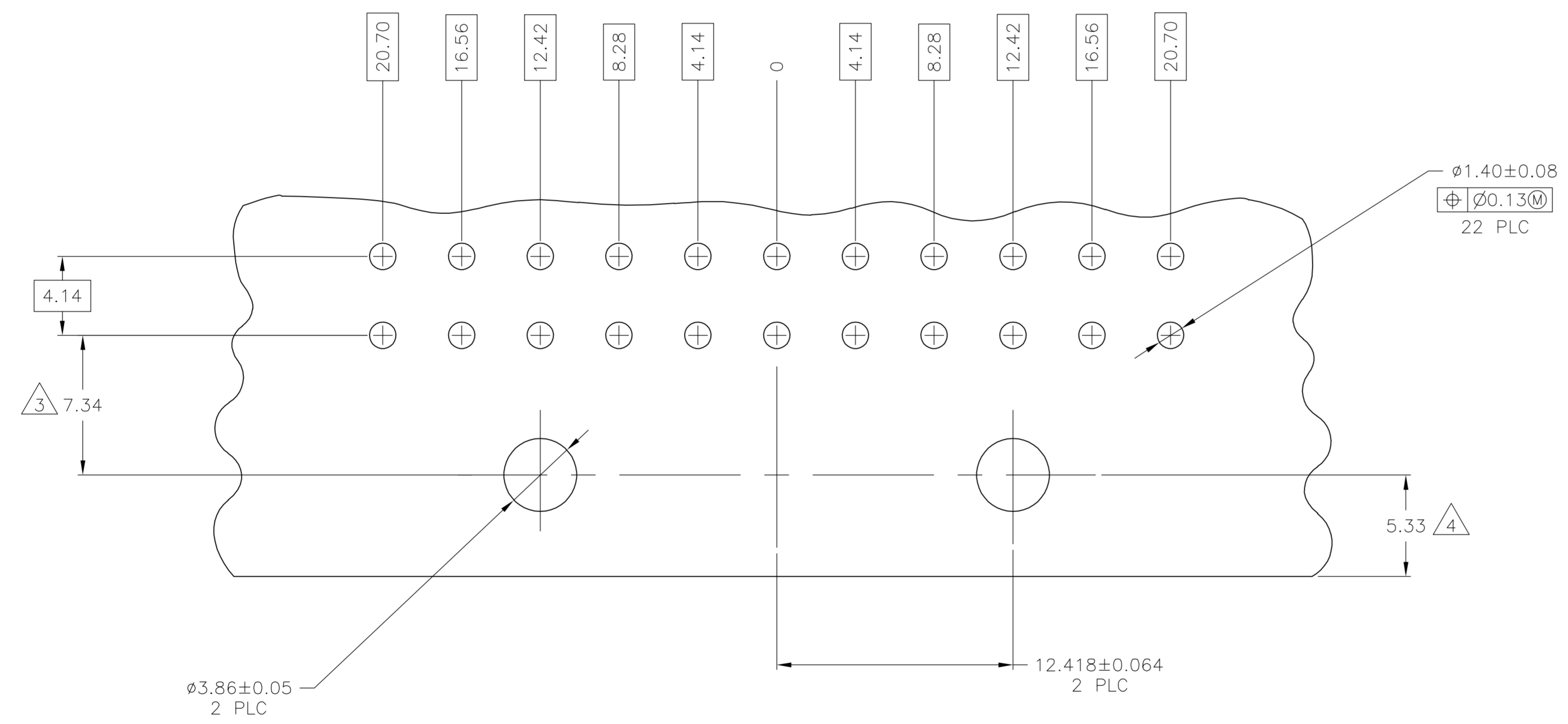
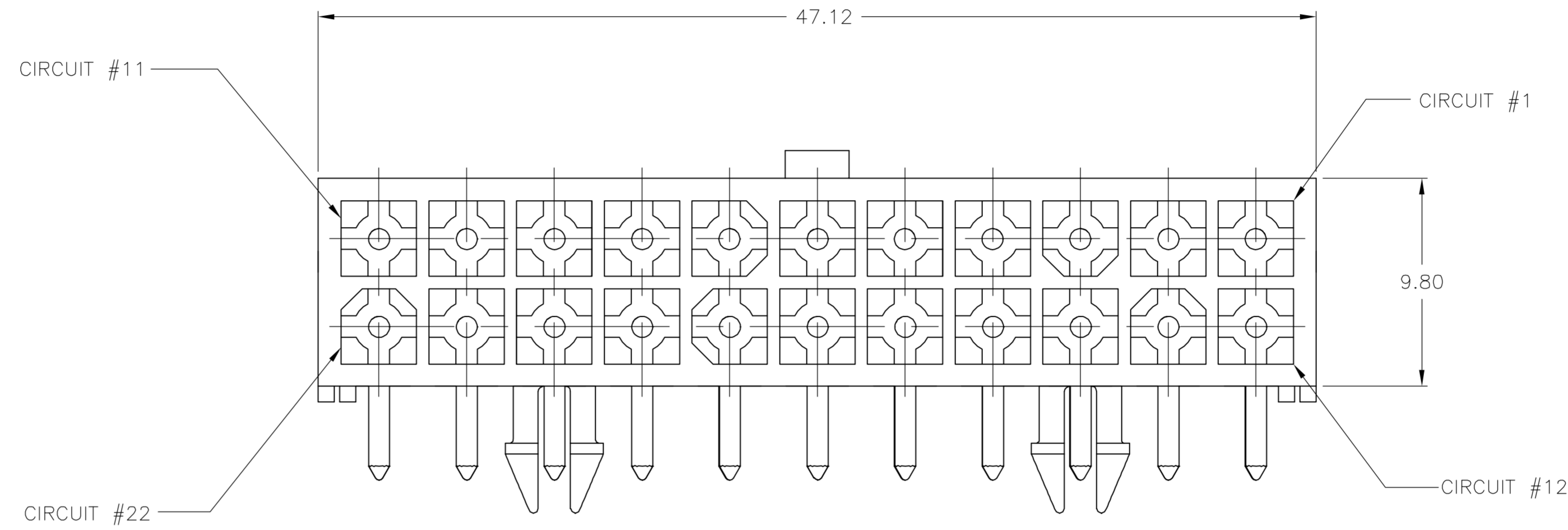
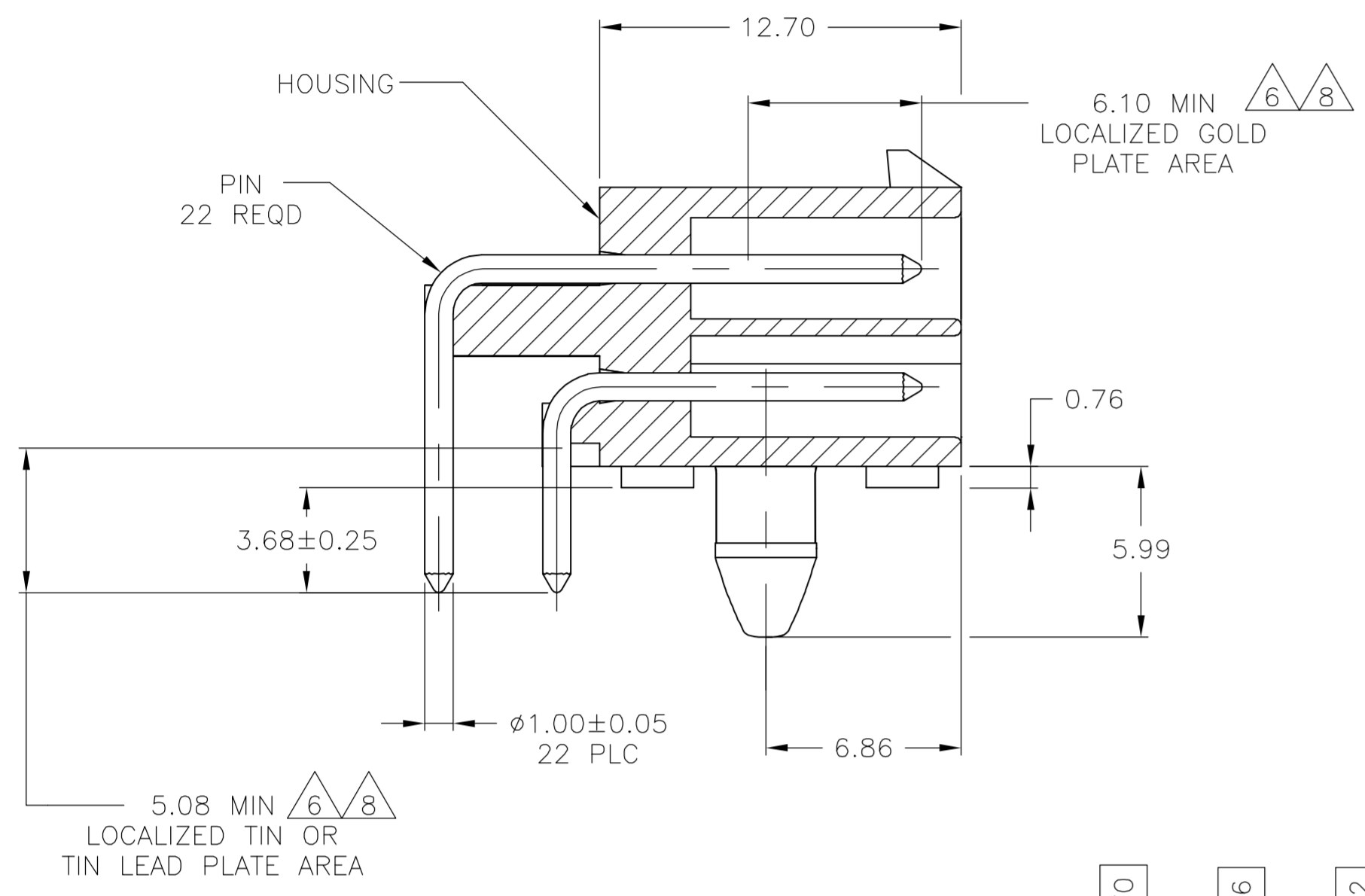


- PINS TO COMPLY WITH AMP SOLDERABILITY SPEC 109-11-3.
- MATES WITH PLUG P/N 770586-1.
- COORDINATE DIMENSION APPLIES FROM CENTER OF ACTUAL FEATURE.
- RECOMMENDED FOR EDGE MOUNTING.
- 0.00381 MIN MATTE TIN LEAD PLATE OVER 0.00127 MIN NICKEL.
- 0.00076 MIN GOLD PLATE IN THE LOCALIZED GOLD PLATE AREA, 0.00381 MATTE TIN LEAD IN THE LOCALIZED PLATE AREA, BOTH OVER 0.00127 MIN NICKEL.
- 0.00381 MIN MATTE TIN PLATE OVER 0.00127 MIN NICKEL.
- 0.00076 MIN GOLD PLATE IN THE LOCALIZED GOLD PLATE AREA, 0.00381 MIN MATTE TIN IN THE LOCALIZED TIN PLATE AREA, BOTH OVER 0.00127 MIN NICKEL.



RECOMMENDED MOUNTING HOLE PATTERN FOR 1.57 THICK P.C. BOARD

1.00	.039	6.86	.270	-	-
0.76	.030	6.10	.240	47.12	1.855
0.25	.010	5.99	.236	20.70	.815
0.13	.005	5.33	.210	16.56	.652
0.08	.003	5.08	.200	12.70	.500
0.064	.0025	4.14	.163	12.42	.489
0.05	.002	3.86	.152	12.418	.4889
0.00381	0.000150	3.68	.145	9.80	.386
0.00127	0.000050	1.57	.062	8.28	.326
0.00076	0.000030	1.40	.055	7.34	.289
MM	IN	MM	IN	MM	IN

CONVERSION TABLE

BRASS	△8	NYLON, UL94V-0	WHITE	1-794107-1
BRASS	△7	NYLON, UL94V-0	WHITE	1-794107-0
BRASS	GOLD △6	NYLON, UL94V-0	WHITE	794107-2
BRASS	TIN LEAD △5	NYLON, UL94V-0	WHITE	794107-1
MATERIAL	FINISH	MATERIAL	COLOR	PART NO
PIN		HOUSING		
THIS DRAWING IS A CONTROLLED DOCUMENT.		DWN K. WHITAKER 02APR96	Tyco Electronics Corporation Harrisburg, PA 17105-3608	
DIMENSIONS: mm		CHK R. SWING 02APR96	APPROVED R. ORSTAD 02APR96	
TOLERANCES UNLESS OTHERWISE SPECIFIED:		NAME: HEADER ASSEMBLY, RIGHT ANGLE, W/SHORT PEG, 22 CIRCUIT, MINI UNIVERSAL MATE-N-LOK(TM)		
0 PLC ± -		PRODUCT SPEC		
1 PLC ± -		APPLICATION SPEC		
2 PLC ± 0.13		SIZE: A1		
3 PLC ± -		CASE CODE: 00779		
4 PLC ± -		DRAWING NO: 794107		
ANGLES ± -		RESTRICTED TO		
FINISH SEE TABLE		WEIGHT: -		
SEE TABLE		CUSTOMER DRAWING		
		SCALE: 5:1		
		SHEET 1 OF 1		
		REV B		

